



AF126 Audible Flashing Alarm



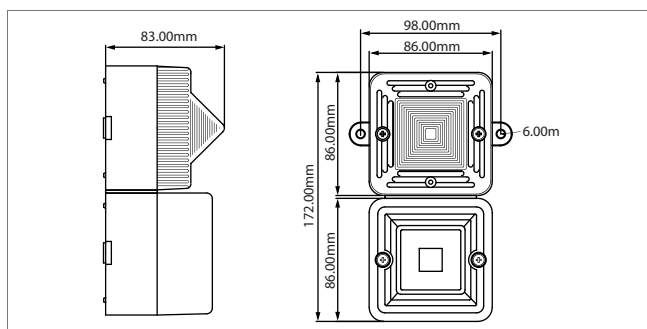
- 230V supply voltage and low power consumption
- Sounder maximum output 100dB(A)
- Sounder effective range 30m @ 1KHz
- Flash rate 1Hz (60fpm)
- 2 stage alarm
- Volume control
- Operational temperature from -25°C to 55°C
- Storage temperature from -40°C to 70°C
- 10 selectable tones
- IP55 protective rating

Application

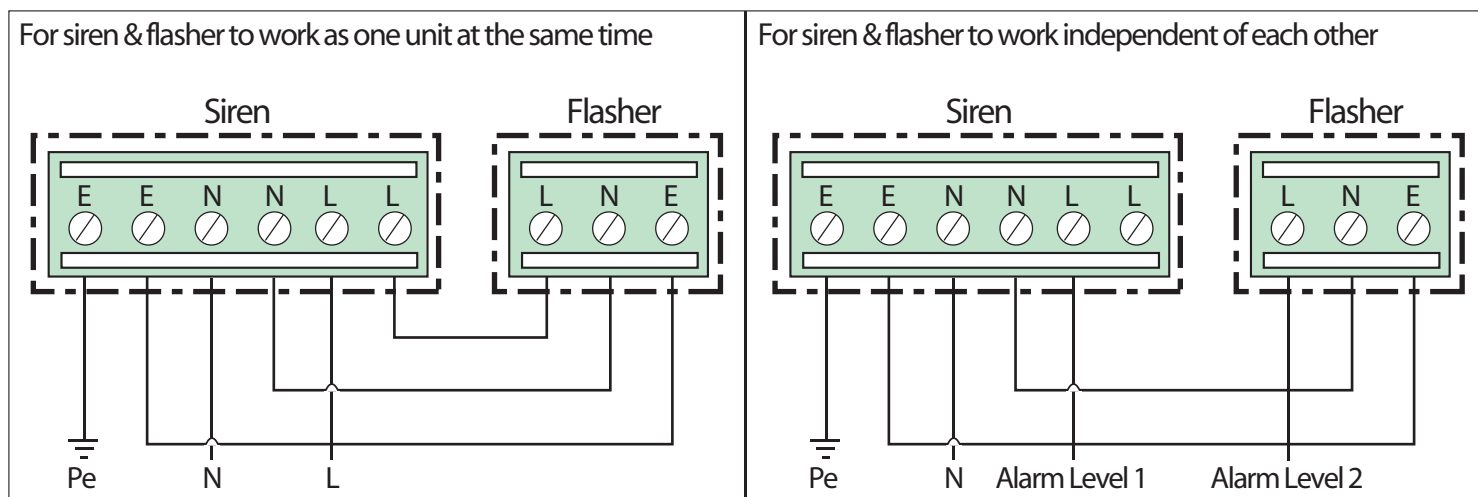
Audible and flashing alarm for industrial and commercial applications.

This unit has a two stage alarm, 10 different selectable alarm tones and has full volume control. The IP55 rated housing makes it robust enough to withstand the toughest of environments.

Overall Dimensions



Electrical Connections













WARNING! Incorrect installation, adjustment, modification, operation or maintenance may cause injury or material damage. Read the instructions before use. This unit must be installed in accordance with the regulations in force.



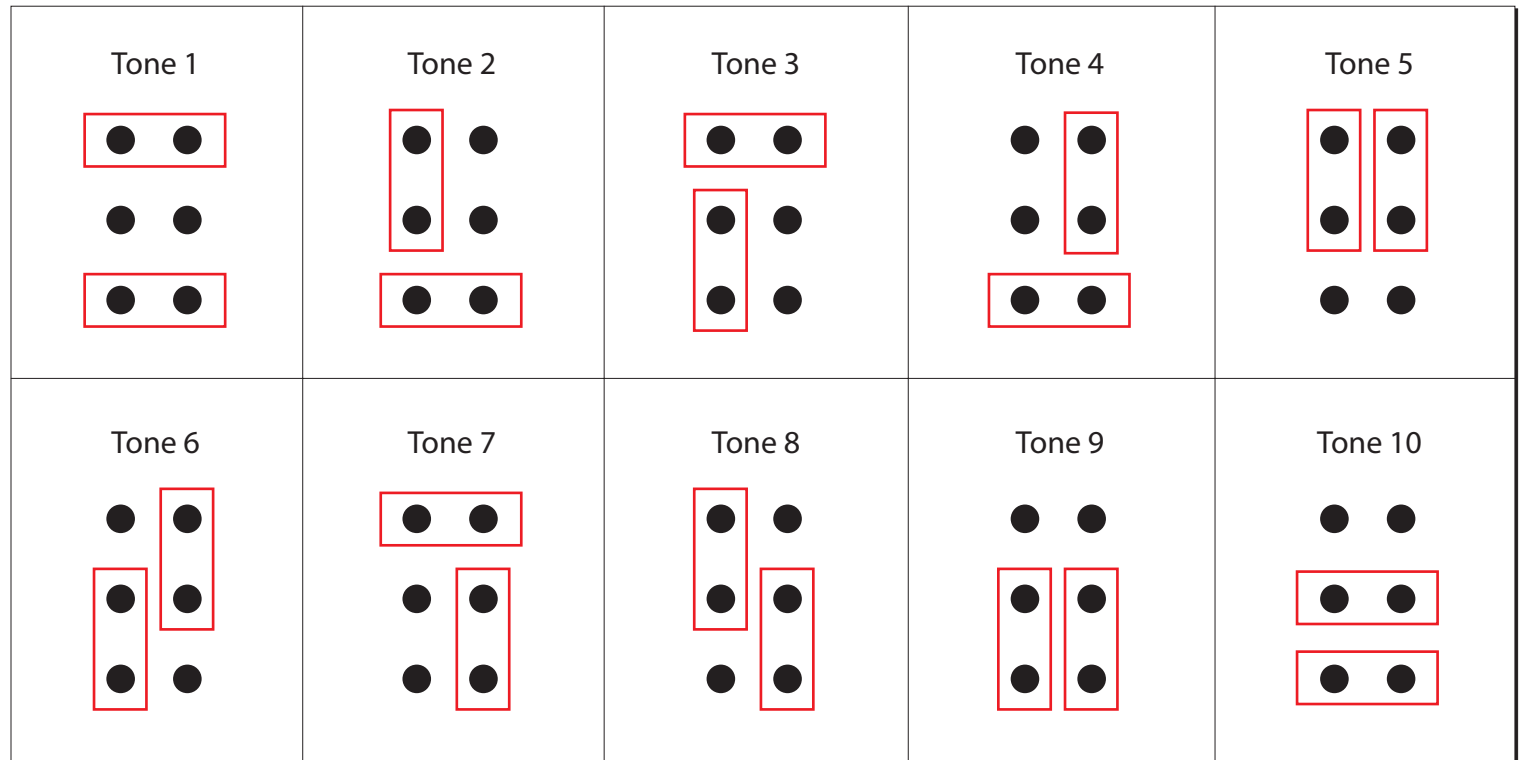
Sound Selection Table

Using the jumpers on the PCB of the sounder it is possible to select different sounds for the AF126 (see table below).

NOTE: Please ensure the supply is OFF before changing any settings on the AF126. Always wear ear defenders when testing, installing and commissioning this device.

#	1st Stage Sound	Frequency (Hertz)	dB @ 1m	Sign Wave
1	Tone 1	800/1000 @ 0.25 sec	99dB(A)	
2	Tone 2	500/1200 @ 0.3Hz 0.5 sec	100dB(A)	
3	Tone 3	1200/500 @ 1Hz	99dB(A)	
4	Tone 4	544 (100mS)/440 (400mS)	97dB(A)	
5	Tone 5	1000Hz continuous	100dB(A)	
6	Tone 6	Bell	95dB(A)	
7	Tone 7	800/1000 @ 7Hz sweeping	95dB(A)	
8	Tone 8	2400/2900 @ 50Hz sweeping	100dB(A)	
9	Tone 9	420 @ 0.625 sec Australian alert	97dB(A)	
10	Tone 10	500 - 1200 3.75 sec / 0.25 sec Australian evacuation	100dB(A)	

Sound Selection Configuration



Tones selection: To select a tone place the jumper in the position shown above.